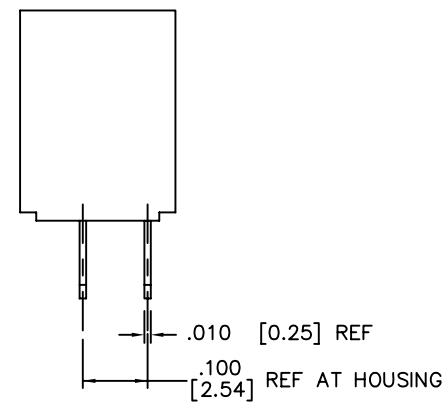
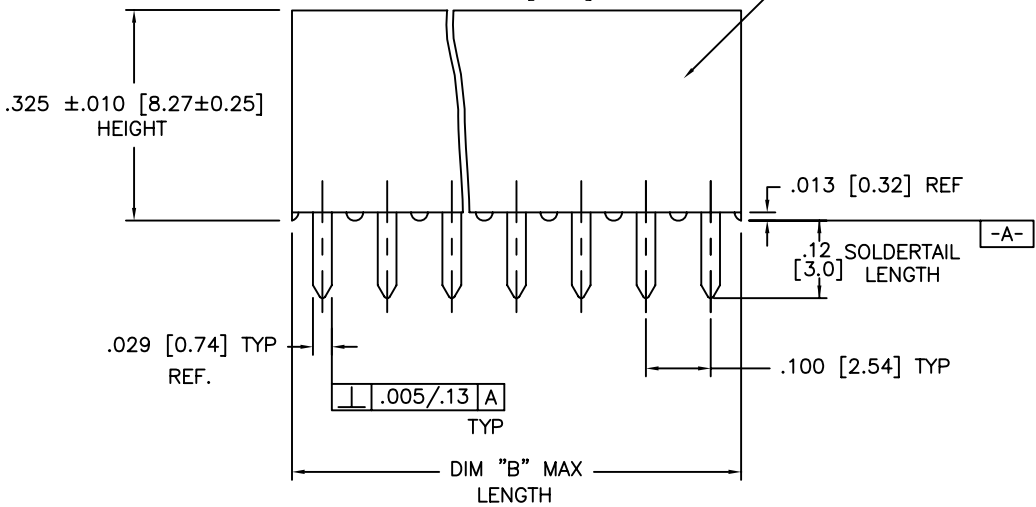
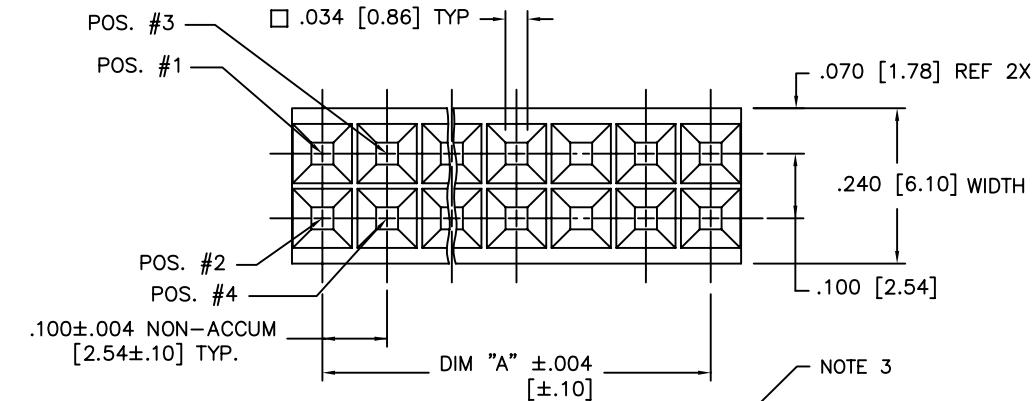


PRODUCT NO
SEE TABLE



mat'l. code 1 & 2		surface ASME Y14.5		tolerance ASME Y14.5		projection FIRST ANGLE		product family CARD CONN.	
ltr	ec'n no	dr	date	tolerances unless otherwise specified		INCH/MM		title	
A	V12553	DAI	10/18/01	XX +01/XX-3		SCALE		VERTICAL CARD CONNECTOR, .100/2.54 CTR., D/R, POL.	
B	V06-0713	JRV	2006-07-24	XXX +005/XX-13		4:1		dwg no	
				0° ±2'		XXX ±0020/XXX+051		sheet 1 of 2	
				dr	D. INGRAM	10/18/01		size	
				engr	H. SUNDY	10/18/01		58389	
				chr	H. SUNDY	10/18/01		A4	
				appd	H. SUNDY	10/18/01		type	
sheet index	revision sheet	B	B					CUSTOMER Drawing	
		1	2						

PRODUCT NO	NO OF POS.	DIM "A"	DIM "B"	POLARIZED POSITIONS
58389-001	2 X 31	3.000/76.20	3.100/78.74	2, 4, 6, 8, 10, 12, 14, 16, 18, 20, 24, 26 28, 32, 34, 36, 38, 40, 42, 46, 48, 50, 52, 54, 56, 58, 60

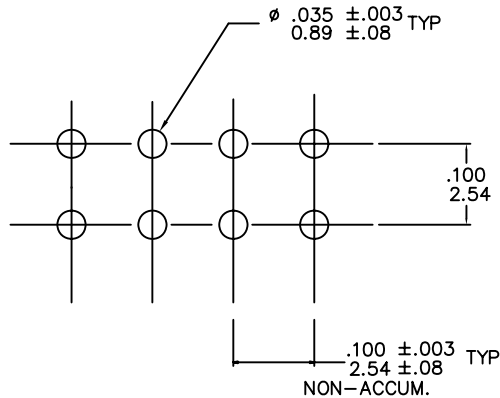


FIG. 1
SCALE 1/2

NOTES:

- ① HOUSING MATERIAL: FILLED POLYESTER, FLAME RETARDANT PER UL 94V-0. COLOR: BLACK.
- ② TERMINAL MATERIAL:
 BODY: BRASS .010/.25 THICK.
 SPRING: BeCu. HEAT TREATED.
 BODY PLATING: 30u"/.76u Au OVER 50u"/1.27 Ni IN CONTACT AREA.
 100u"/2.54u TIN-LEAD OVER 50u" /1.27 Ni ON SOLDER TAIL
 SPRING PLATING: GOLD FLASH
- ③ PRODUCT DASH NUMBERS TO BE MARKED "FCI", FCI FINAL PART NUMBER AND DATE CODE WITH .060/1.52 HIGH LETTERS. PARTS 2 X 8 OR LESS HAVE THIS INFORMATION ON TUBE LABEL INSTEAD OF HOUSING. DASH NUMBER WITH "U" AS FOURTH DIGIT (XXXXX-XXXU) IS UNMARKED.
4. APPLICATION INFORMATION.
 A. RECOMMENDED MOUNTING HOLE PATTERN IS SHOWN IN FIG. #1.
 B. ALL MATING PINS TO BE .025/.64 SQUARE ON TRUE CENTER OF GIVEN TERMINAL SPACINGS, WITHIN .015/.38 DIAMETER.
 C. SUGGESTED MATING PIN LENGTH, .210 ±.020/5.33 ±.51.

mat'l. code		surface ASME Y14.5 ✓		tolerance ASME Y14.5		projection ⊕		product family CARD CONN.	
ltr	ecn no	dr	date	tolerances unless otherwise specified		INCH/MM		title VERTICAL CARD CONNECTOR, .100/2.54 CTR., D/R, POL.	
B				angles	XX ±.01/XX±3 XXX ±.005/XXX±B	scale 1:1		dwg no 58389	
				0° ±2'	XXXX ±.0020/XXX±.051	FCI		sheet 2 of size A4	
				dr	D. INGRAM 10/18/01			type CUSTOMER Drawing	
				engr	H. SUNDY 10/18/01				
				chr	H. SUNDY 10/18/01				
				appd	H. SUNDY 10/18/01				
sheet index	revision sheet								